



U21 Male -66kg

Competitors A

| # | Name | Grade | Club | 1 | 2 | 3 | Wins | Pts | Pos |
|---|------------------|--------|--------------------|----|----|----|------|-----|-----|
| 1 | HARCOTT Benjamin | brown | Kamloops Judo Club | XX | | | 0 | 0 | 3 |
| 2 | WALSH Iain | shodan | Kokushikai Judo | 10 | XX | | 1 | 10 | 2 |
| 3 | GRANT Eli | shodan | Kokushikai Judo | 10 | 10 | XX | 2 | 20 | 1 |

Pool A

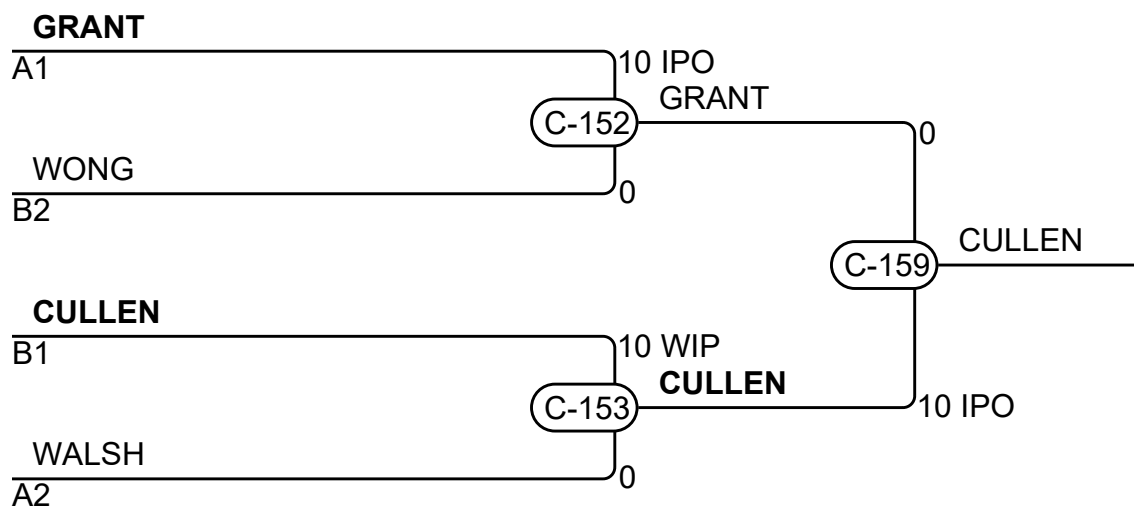
| Match | White | Blue | Result | Time | Code |
|-------|-------------------------|------------|--------|------|------|
| C-114 | HARCOTT Benjamin 1 2 | WALSH Iain | 0 - 10 | 0:16 | IPO |
| C-127 | HARCOTT Benjamin 1 3 | GRANT Eli | 0 - 10 | 0:41 | IPO |
| C-139 | WALSH Iain 2 3 | GRANT Eli | 0 - 10 | 1:49 | IPO |

Competitors B

| # | Name | Grade | Club | 4 | 5 | 6 | Wins | Pts | Pos |
|---|-------------|--------|-----------------|----|----|----|------|-----|-----|
| 4 | WONG Jaime | shodan | Peak Judo Club | XX | 10 | | 1 | 10 | 2 |
| 5 | WYMAN Brody | blue | Westsyde Judo | | XX | | 0 | 0 | 3 |
| 6 | CULLEN Finn | shodan | Kokushikai Judo | 10 | 10 | XX | 2 | 20 | 1 |

Pool B

| Match | White | Blue | Result | Time | Code |
|-------|--------------------|-------------|--------|------|------|
| C-115 | WONG Jaime 4 5 | WYMAN Brody | 10 - 0 | 2:23 | HAN |
| C-128 | WONG Jaime 4 6 | CULLEN Finn | 0 - 10 | 0:32 | IPO |
| C-140 | WYMAN Brody 5 6 | CULLEN Finn | 0 - 10 | 0:55 | IPO |



Results

| Pos | Name |
|-----|------------------------------|
| 1 | CULLEN Finn, Kokushikai Judo |
| 2 | GRANT Eli, Kokushikai Judo |
| 3 | WONG Jaime, Peak Judo Club |
| 3 | WALSH Iain, Kokushikai Judo |