



# Veteran Male -81kg

## Competitors A

#	Name	Grade	Club	1	2	3	Wins	Pts	Pos
1	JULIAN Kevin	shodan	Peak Judo Club	XX		10	1	10	2
2	SMILEY Christopher	sandan	Lake Country Judo Club	10	XX	10	2	20	1
3	SOROKIN Oleg	brown	Westminster Judo Club			XX	0	0	3

## Pool A

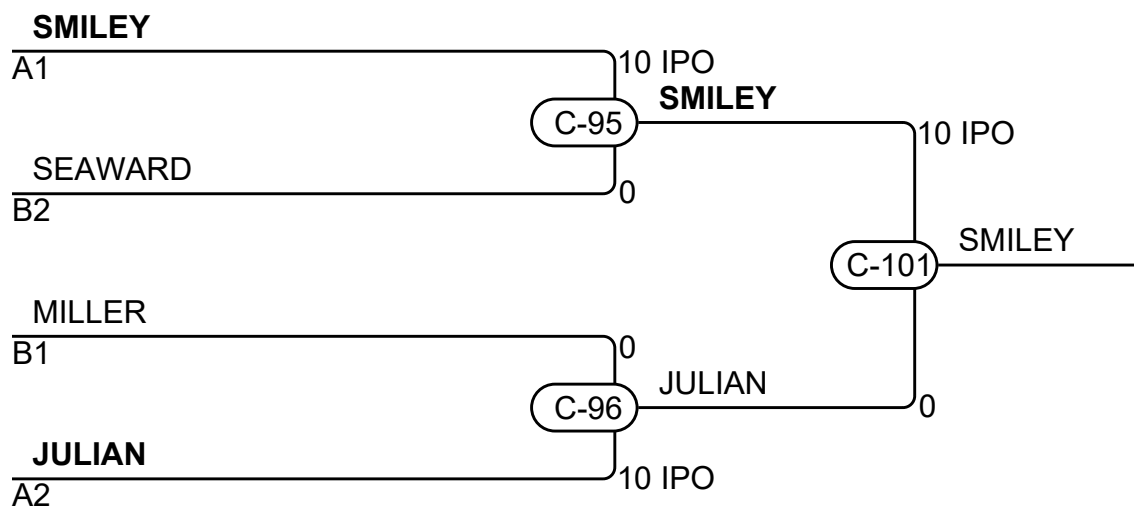
Match	White	Blue	Result	Time	Code
C-65	JULIAN Kevin 1 2	SMILEY Christopher	0 - 10	1:11	IPO
C-76	JULIAN Kevin 1 3	SOROKIN Oleg	10 - 0	1:32	WIP
C-87	SMILEY Christopher 2 3	SOROKIN Oleg	10 - 0	1:23	IPO

## Competitors B

#	Name	Grade	Club	4	5	6	Wins	Pts	Pos
4	JAMALI Ali	gre/blu	Peak Judo Club	XX			0	0	3
5	SEAWARD John	green	Kaizen Judo Academy	5	XX		1	5	2
6	MILLER Sam	blu/bro	Ishikawa Family Judo Clu	10	10	XX	2	20	1

## Pool B

Match	White	Blue	Result	Time	Code
C-66	JAMALI Ali 4 5	SEAWARD John	0 - 5	3:28	GSW
C-77	JAMALI Ali 4 6	MILLER Sam	0 - 10	0:00	IPO
C-88	SEAWARD John 5 6	MILLER Sam	0 - 10	2:15	IPO



## Results

Pos	Name
1	SMILEY Christopher, Lake Country Judo Club
2	JULIAN Kevin, Peak Judo Club
3	SEAWARD John, Kaizen Judo Academy
3	MILLER Sam, Ishikawa Family Judo Club