

# U14 Male -38kg

## Competitors/Compétiteurs A

#	Name/Nom	Grade	Club	1	2	3	4	W/G	Pts	Pos
1	RUDYUK Pavlo	Orange	Burnaby	XX	10	5		2	15	2
2	PETROVIC Maksim	Orange	Steveston		XX		10	1	10	3
3	ALBERTO Emanuel	Green	North Sound Judo		10	XX	10	2	20	1
4	TARASENKO Maksym	Green	Ishi Yama	10			XX	1	10	4

## Pool A

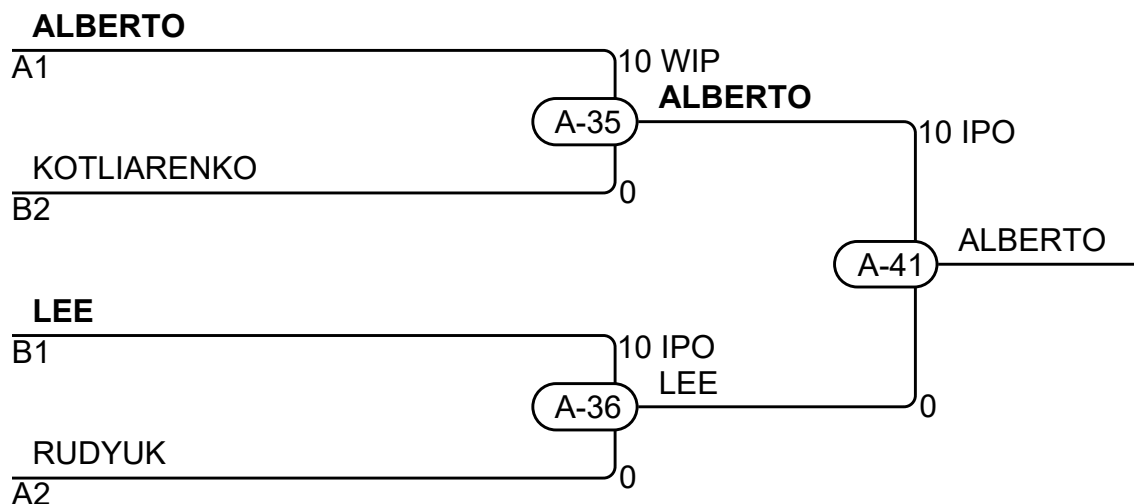
Match	White/Blanc	Blue/Bleu	Res/Rés	Tim/Tmp	Code
A-10	RUDYUK Pavlo 1 2	PETROVIC Maksim	10 - 0	0:31	IPO
A-11	ALBERTO Emanuel 3 4	TARASENKO Maksym	10 - 0	0:41	IPO
A-21	RUDYUK Pavlo 1 3	ALBERTO Emanuel	5 - 0	3:00	WAZ
A-24	PETROVIC Maksim 2 4	TARASENKO Maksym	10 - 0	0:14	IPO
A-29	RUDYUK Pavlo 1 4	TARASENKO Maksym	0 - 10	0:19	IPO
A-30	PETROVIC Maksim 2 3	ALBERTO Emanuel	0 - 10	0:31	IPO

## Competitors/Compétiteurs B

#	Name/Nom	Grade	Club	5	6	7	W/G	Pts	Pos
5	LEE Kaden	Yellow/Orange	Peak Judo Club	XX	5	10	2	15	1
6	ARKHIPOV Nikolai	Yellow/Orange	Phoenix Judo Club		XX		0	0	3
7	KOTLIARENKO Mark	Orange/Green	Abbotsford Judo Club		10	XX	1	10	2

## Pool B

Match	White/Blanc	Blue/Bleu	Res/Rés	Tim/Tmp	Code
A-20	LEE Kaden 5 6	ARKHIPOV Nikolai	5 - 0	3:00	WAZ
A-25	LEE Kaden 5 7	KOTLIARENKO Mark	10 - 0	1:01	HAN
A-31	ARKHIPOV Nikolai 6 7	KOTLIARENKO Mark	0 - 10	0:54	IPO



## Results/Résultats

Pos	Name/Nom
1	ALBERTO Emanuel, North Sound Judo
2	LEE Kaden, Peak Judo Club
3	KOTLIARENKO Mark, Abbotsford Judo Club
3	RUDYUK Pavlo, Burnaby