

U16 Female -52kg

Competitors/Compétiteurs A

#	Name/Nom	Grade	Club	1	2	3	W/G	Pts	Pos
1	KHOSA Harsaya	Green	Abbotsford	XX			0	0	3
2	KEIRSTEAD Wish	Brown	Pacific Kodokan Dojo	10	XX		1	10	2
3	BOLZHOBKOVA Adema	Green	Peak Judo Club	10	10	XX	2	20	1

Pool A

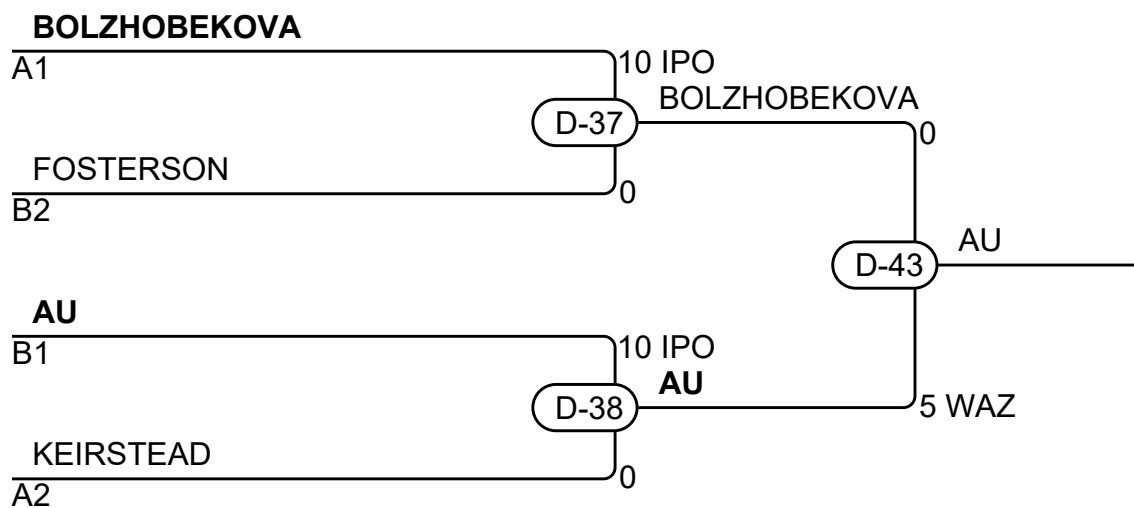
Match	White/Blanc			Blue/Bleu	Res/Rés	Tim/Tmp	Code
D-4	KHOSA Harsaya	1	2	KEIRSTEAD Wish	0 - 10	0:20	WIP
D-17	KHOSA Harsaya	1	3	BOLZHOBKOVA Adema	0 - 10	0:43	WIP
D-27	KEIRSTEAD Wish	2	3	BOLZHOBKOVA Adema	0 - 10	0:12	IPO

Competitors/Compétiteurs B

#	Name/Nom	Grade	Club	4	5	6	W/G	Pts	Pos
4	AU Megan	Blue	Peak Judo Club	XX	10	10	2	20	1
5	ABOUGHOSHE Scarlett	Green	Kodokwai		XX		0	0	3
6	FOSTERSON Trinity	Green/Blue	Nanaimo		10	XX	1	10	2

Pool B

Match	White/Blanc			Blue/Bleu	Res/Rés	Tim/Tmp	Code
D-5	AU Megan	4	5	ABOUGHOSHE Scarlett	10 - 0	0:35	IPO
D-18	AU Megan	4	6	FOSTERSON Trinity	10 - 0	1:47	IPO
D-28	ABOUGHOSHE Scarlett	5	6	FOSTERSON Trinity	0 - 10	2:54	IPO



Results/Résultats

Pos	Name/Nom
1	AU Megan, Peak Judo Club
2	BOLZHOBKOVA Adema, Peak Judo Club
3	FOSTERSON Trinity, Nanaimo
3	KEIRSTEAD Wish, Pacific Kodokan Dojo