

# U16 Male +73kg

## Competitors/Compétiteurs A

| # | Name/Nom        | Grade  | Club       | 1  | 2  | 3  | W/G | Pts | Pos |
|---|-----------------|--------|------------|----|----|----|-----|-----|-----|
| 1 | ZIEMER Rally    | Orange | Kokoro     | XX |    |    | 0   | 0   | 3   |
| 2 | SUBERLAK Ridley | Green  | Battleford | 10 | XX |    | 1   | 10  | 2   |
| 3 | MAPLE Dominik   | Green  | Abbotsford | 10 | 10 | XX | 2   | 20  | 1   |

## Pool A

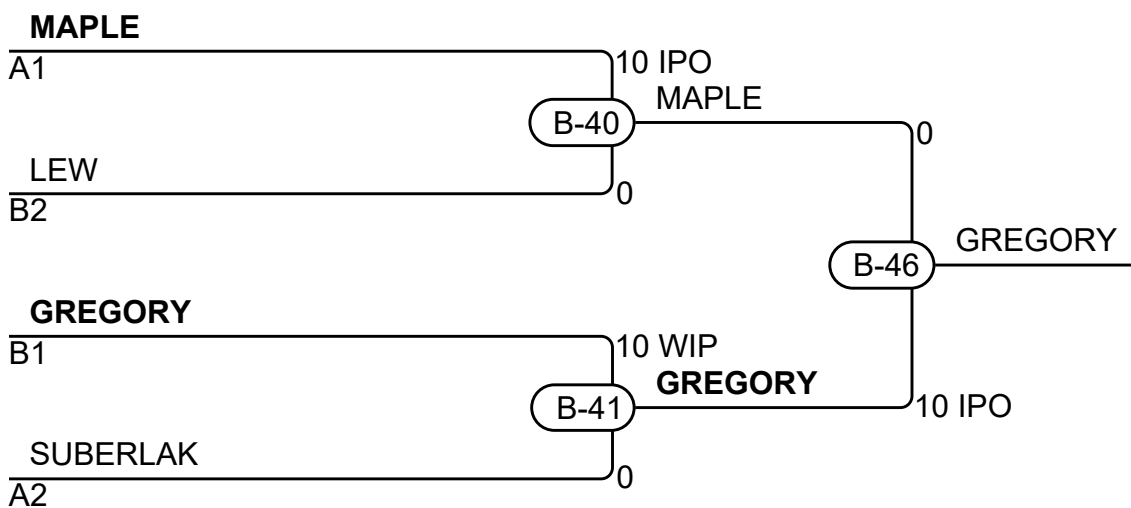
| Match | White/Blanc            | Blue/Bleu       | Res/Rés | Tim/Tmp | Code |
|-------|------------------------|-----------------|---------|---------|------|
| B-18  | ZIEMER Rally<br>1 2    | SUBERLAK Ridley | 0 - 10  | 0:24    | IPO  |
| B-26  | ZIEMER Rally<br>1 3    | MAPLE Dominik   | 0 - 10  | 0:24    | IPO  |
| B-33  | SUBERLAK Ridley<br>2 3 | MAPLE Dominik   | 0 - 10  | 2:54    | IPO  |

## Competitors/Compétiteurs B

| # | Name/Nom       | Grade | Club            | 4  | 5  | 6  | W/G | Pts | Pos |
|---|----------------|-------|-----------------|----|----|----|-----|-----|-----|
| 4 | RASTBIN Rodmun | Green | Champion        | XX |    |    | 0   | 0   | 3   |
| 5 | GREGORY Drake  | Brown | Lethbridge      | 10 | XX | 10 | 2   | 20  | 1   |
| 6 | LEW Maddox     | Green | Ishikawa Family | 10 |    | XX | 1   | 10  | 2   |

## Pool B

| Match | White/Blanc           | Blue/Bleu     | Res/Rés | Tim/Tmp | Code |
|-------|-----------------------|---------------|---------|---------|------|
| B-19  | RASTBIN Rodmun<br>4 5 | GREGORY Drake | 0 - 10  | 0:45    | IPO  |
| B-27  | RASTBIN Rodmun<br>4 6 | LEW Maddox    | 0 - 10  | 1:06    | IPO  |
| B-34  | GREGORY Drake<br>5 6  | LEW Maddox    | 10 - 0  | 1:15    | WIP  |



## Results/Résultats

| Pos | Name/Nom                    |
|-----|-----------------------------|
| 1   | GREGORY Drake, Lethbridge   |
| 2   | MAPLE Dominik, Abbotsford   |
| 3   | LEW Maddox, Ishikawa Family |
| 3   | SUBERLAK Ridley, Battleford |