

U21 Male -90kg

Competitors/Compétiteurs A

#	Name/Nom	Grade	Club	1	2	3	4	W/G	Pts	Pos
1	SAID MOHAMMAD Habib	Brown	Kodokwai	XX	5		10	2	15	2
2	RAINVILLE Matys	Shodan	Drummondville		XX		10	1	10	3
3	TABOULCHANAS Soren	Brown	Lethbridge	10	10	XX	10	3	30	1
4	DA SILVA Dante	Green	Abbotsford				XX	0	0	4

Pool A

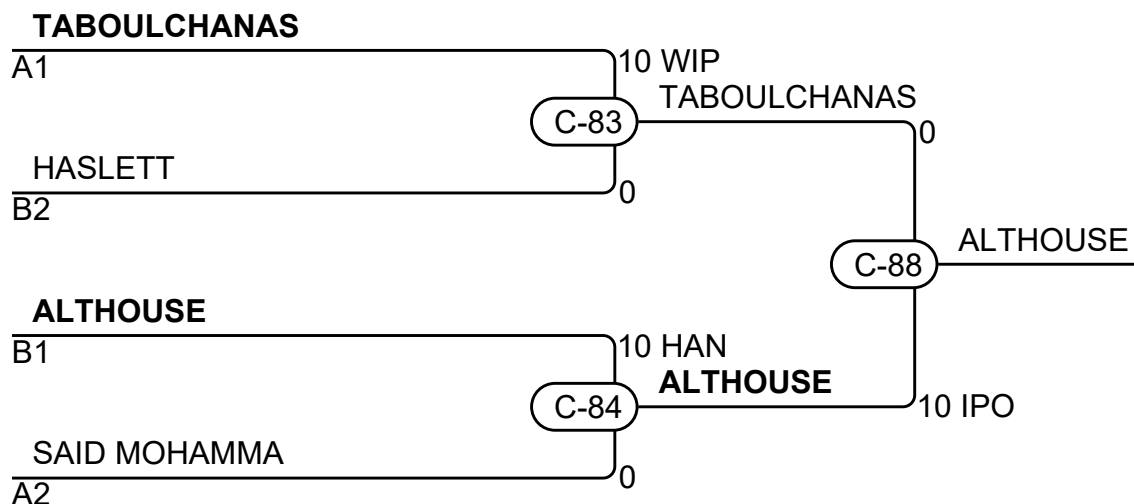
Match	White/Blanc	Blue/Bleu	Res/Rés	Tim/Tmp	Code
C-59	SAID MOHAMMAD Habib 1 2	RAINVILLE Matys	5 - 0	4:00	WAZ
C-64	TABOULCHANAS Soren 3 4	DA SILVA Dante	10 - 0	0:00	FUS
C-69	SAID MOHAMMAD Habib 1 3	TABOULCHANAS Soren	0 - 10	1:20	IPO
C-70	RAINVILLE Matys 2 4	DA SILVA Dante	10 - 0	0:00	FUS
C-77	SAID MOHAMMAD Habib 1 4	DA SILVA Dante	10 - 0	0:00	FUS
C-78	RAINVILLE Matys 2 3	TABOULCHANAS Soren	0 - 10	2:10	WIP

Competitors/Compétiteurs B

#	Name/Nom	Grade	Club	5	6	7	W/G	Pts	Pos
5	LEE Mike	Brown	Kaizen Judo Academy	XX			0	0	3
6	ALTHOUSE Carter	Shodan	Lethbridge	10	XX	10	2	20	1
7	HASLETT Nicholas	Shodan	Shimpokai	10		XX	1	10	2

Pool B

Match	White/Blanc	Blue/Bleu	Res/Rés	Tim/Tmp	Code
C-65	LEE Mike 5 6	ALTHOUSE Carter	0 - 10	3:33	HAN
C-71	LEE Mike 5 7	HASLETT Nicholas	0 - 10	2:56	HAN
C-79	ALTHOUSE Carter 6 7	HASLETT Nicholas	10 - 0	4:00	IPO



Results/Résultats

Pos	Name/Nom
1	ALTHOUSE Carter, Lethbridge
2	TABOULCHANAS Soren, Lethbridge
3	HASLETT Nicholas, Shimpokai
3	SAID MOHAMMAD Habib, Kodokwai