

Veteran Male -81kg

Competitors/Compétiteurs A

| # | Name/Nom | Grade | Club | 1 | 2 | 3 | 4 | W/G | Pts | Pos |
|---|-----------------|--------|---------------------|----|----|----|----|-----|-----|-----|
| 1 | LANG Justin | Shodan | Abbotsford | XX | | | | 0 | 0 | 4 |
| 2 | GOLDEN Aaron | Brown | Emerald City Judo | 10 | XX | | | 1 | 10 | 3 |
| 3 | LOCKWOOD Ben | Brown | Kaizen Judo Academy | 5 | 10 | XX | | 2 | 15 | 2 |
| 4 | THIESSEN Andrew | Shodan | Kelowna | 10 | 10 | 10 | XX | 3 | 30 | 1 |

Pool A

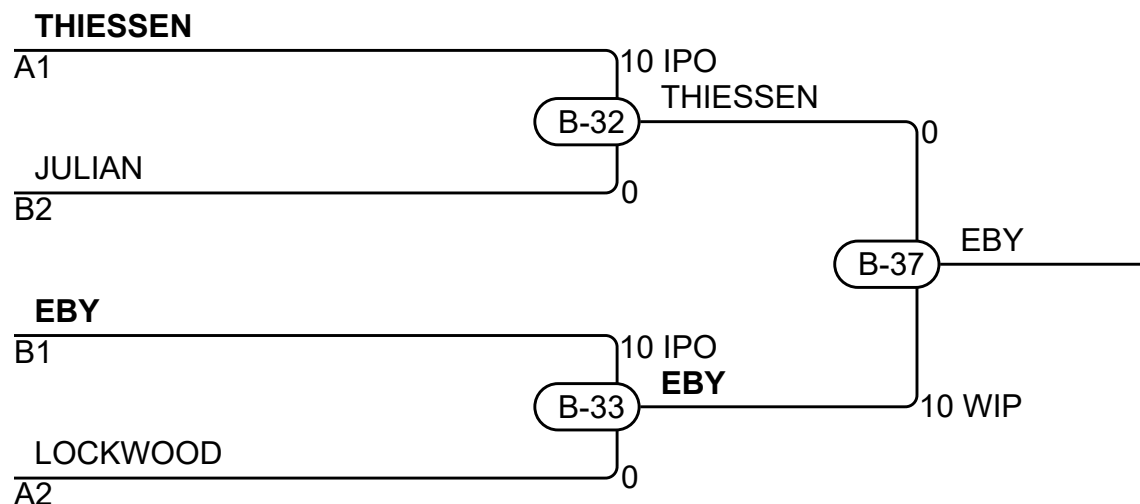
| Match | White/Blanc | Blue/Bleu | Res/Rés | Tim/Tmp | Code |
|-------|---------------------|-----------------|---------|---------|------|
| B-7 | LANG Justin 1 2 | GOLDEN Aaron | 0 - 10 | 2:02 | WIP |
| B-8 | LOCKWOOD Ben 3 4 | THIESSEN Andrew | 0 - 10 | 0:46 | IPO |
| B-17 | LANG Justin 1 3 | LOCKWOOD Ben | 0 - 5 | 3:00 | WAZ |
| B-18 | GOLDEN Aaron 2 4 | THIESSEN Andrew | 0 - 10 | 1:07 | IPO |
| B-25 | LANG Justin 1 4 | THIESSEN Andrew | 0 - 10 | 1:50 | IPO |
| B-26 | GOLDEN Aaron 2 3 | LOCKWOOD Ben | 0 - 10 | 0:45 | WIP |

Competitors/Compétiteurs B

| # | Name/Nom | Grade | Club | 5 | 6 | 7 | W/G | Pts | Pos |
|---|--------------|--------|----------------|----|----|----|-----|-----|-----|
| 5 | EBY Nathan | Nidan | Nanaimo | XX | 10 | 5 | 2 | 15 | 1 |
| 6 | JULIAN Kevin | Shodan | Peak Judo Club | | XX | 10 | 1 | 10 | 2 |
| 7 | SOROKIN Oleg | Brown | Westminster | | | XX | 0 | 0 | 3 |

Pool B

| Match | White/Blanc | Blue/Bleu | Res/Rés | Tim/Tmp | Code |
|-------|---------------------|--------------|---------|---------|------|
| B-9 | EBY Nathan 5 6 | JULIAN Kevin | 10 - 0 | 2:17 | IPO |
| B-19 | EBY Nathan 5 7 | SOROKIN Oleg | 5 - 0 | 4:33 | GSW |
| B-27 | JULIAN Kevin 6 7 | SOROKIN Oleg | 10 - 0 | 0:42 | IPO |



Results/Résultats

| Pos | Name/Nom |
|-----|-----------------------------------|
| 1 | EBY Nathan, Nanaimo |
| 2 | THIESSEN Andrew, Kelowna |
| 3 | JULIAN Kevin, Peak Judo Club |
| 3 | LOCKWOOD Ben, Kaizen Judo Academy |