

# Peak International October 26-27, 2024 SFU U14M -60kg

Competitors: 7

## Competitors A

#	Name	Club	1	2	3	4	Wins	Pts	Pos
1	THOMPSON Jude	Lake Country Judo Club	XX				0	0	4
2	PANERIO Kingston	Steveston Judo Club	10	XX		10	2	20	2
3	LIU Tyler	Steveston Judo Club	10	1	XX	10	3	21	1
4	JORDAN Cian	Mile Zero Judo Club	10			XX	1	10	3

## Matches A

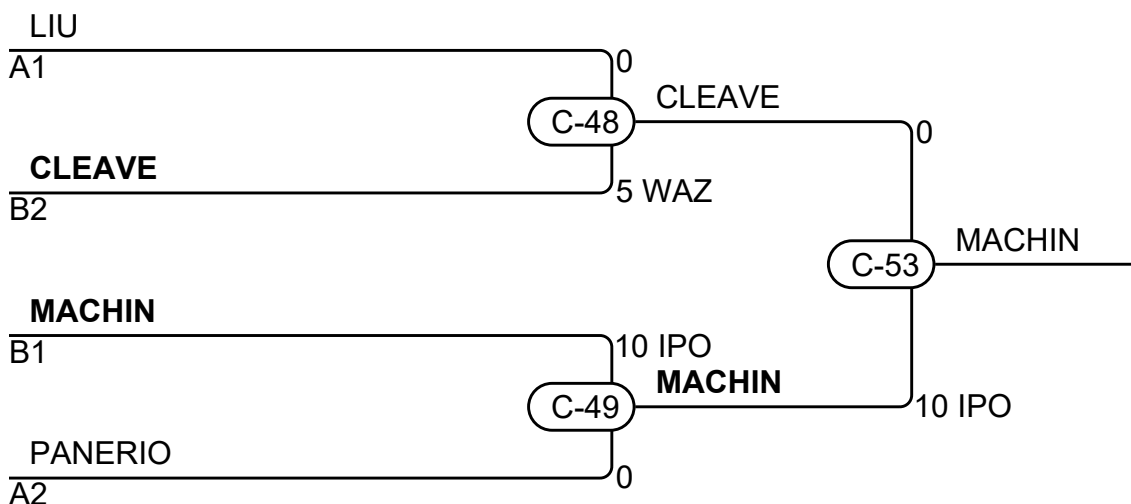
Match	White	Blue	Result	Time	Code
C-15	THOMPSON Jude 1 2	PANERIO Kingston	0 - 10	1:00	IPO
C-16	LIU Tyler 3 4	JORDAN Cian	10 - 0	0:11	IPO
C-26	THOMPSON Jude 1 3	LIU Tyler	0 - 10	1:31	IPO
C-27	PANERIO Kingston 2 4	JORDAN Cian	10 - 0	2:20	IPO
C-39	THOMPSON Jude 1 4	JORDAN Cian	0 - 10	1:22	IPO
C-40	PANERIO Kingston 2 3	LIU Tyler	0 - 1	3:00	YUS

## Competitors B

#	Name	Club	5	6	7	Wins	Pts	Pos
5	MA Jason	Steveston Judo Club	XX			0	0	3
6	MACHIN Hunter	Kokushikai Judo	10	XX	5	2	15	1
7	CLEAVE Ryland	Prince George Judo Club	10		XX	1	10	2

## Matches B

Match	White	Blue	Result	Time	Code
C-17	MA Jason 5 6	MACHIN Hunter	0 - 10	0:36	IPO
C-28	MA Jason 5 7	CLEAVE Ryland	0 - 10	0:36	WIP
C-41	MACHIN Hunter 6 7	CLEAVE Ryland	5 - 0	3:00	WAZ



## Results

Pos	Name
1	MACHIN Hunter, Kokushikai Judo
2	CLEAVE Ryland, Prince George Judo Club
3	LIU Tyler, Steveston Judo Club
3	PANERIO Kingston, Steveston Judo Club